

Certikin Pool Liner Order Form

Liner Material Required

Order Details

Pattern Option	Tileband	<input type="text"/>
	Wall	<input type="text"/>
	Floor	<input type="text"/>

Company Name

Account No

Date

Order Ref

Underlay Requirements - Qty Per Roll		Qty
250g Economy Felt (2m x 25m)		<input type="text"/>
300g Standard Felt (2m x 100m)		<input type="text"/>
350g Reinforced Felt (2m x 50m)		<input type="text"/>
475g Premium Felt (2m x 25m)		<input type="text"/>
6mm Foam (Walls only - 1.5m x 75m)		<input type="text"/>
Joint tape 50m	Qty <input type="text"/>	12 x Spray Adhesive Qty <input type="text"/>

Delivery Address _____

Postcode _____

Contact Number _____

If the pool has a roman end please indicate position and its centre - we will try and make the wall seam at this point.

For different designs, pools with inconsistent measurements or pools with steps to be lined please provide a detailed drawing on a separate sheet.

Dimensions		
	Metric	OR Imperial
A
B
C
D
E
F
G
H
J
K

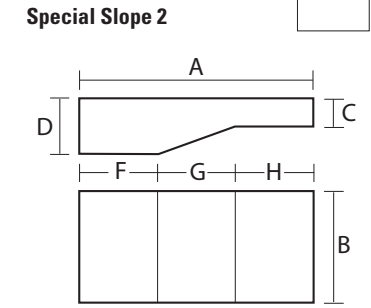
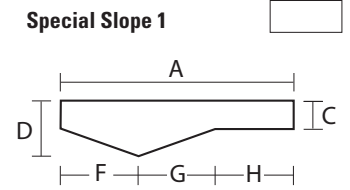
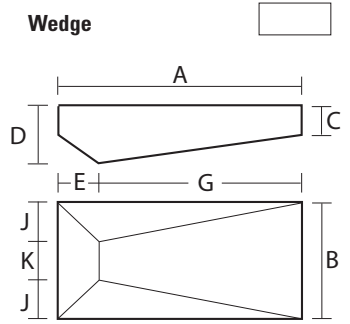
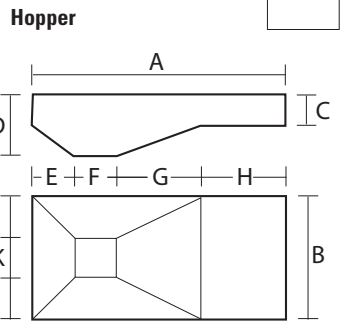
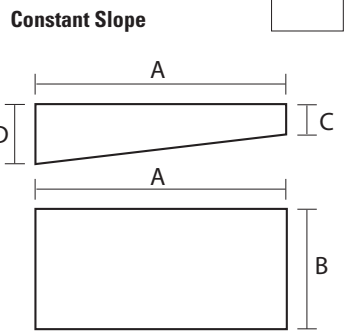
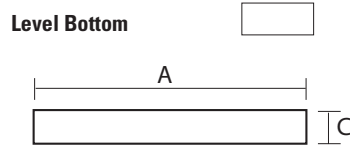
Square Corners

Radius Corners
Please give radius size in box

Beaded

Overlap*

* 150mm (6") overlap will be allowed unless otherwise requested



Certikin Fax Number: 01993 778620
Pools Fax Number: 01993 777224
Export Fax: +44 (0) 1993 708499
Email: orders@certikin.co.uk



If you require further technical information please do not hesitate to contact us

This literature is intended as a guide. The Company reserves the right to change the specifications without notice.